

Network Video Recorder

NVR302-E-P-B Series



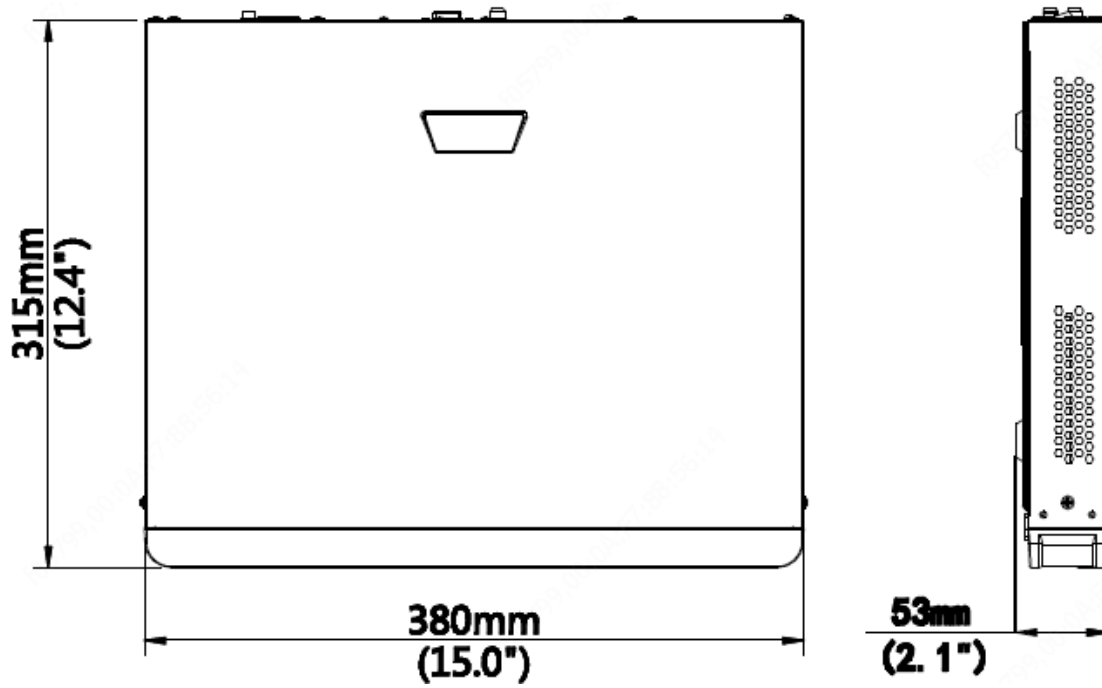
Key Features

- Support Ultra 265/H.265/H.264 video formats
- 8/16-channel input
- Third-party IP cameras supported with ONVIF conformance: Profile S, Profile G, Profile T
- Support 1-ch HDMI, 1-ch VGA, HDMI at up to 4K (3840x2160) resolution
- HDMI and VGA independent outputs provided
- Up to 12 Megapixels resolution recording
- 2 SATA HDDs, up to 10TB for each HDD
- Support redundant recording
- Various fisheye dewarping modes for live view and playback for both web interface and GUI
- Plug & Play with up to 8/16 independent PoE network interfaces
- ANR technology to enhance the storage reliability when the network is disconnected
- Support cloud upgrade

Specifications

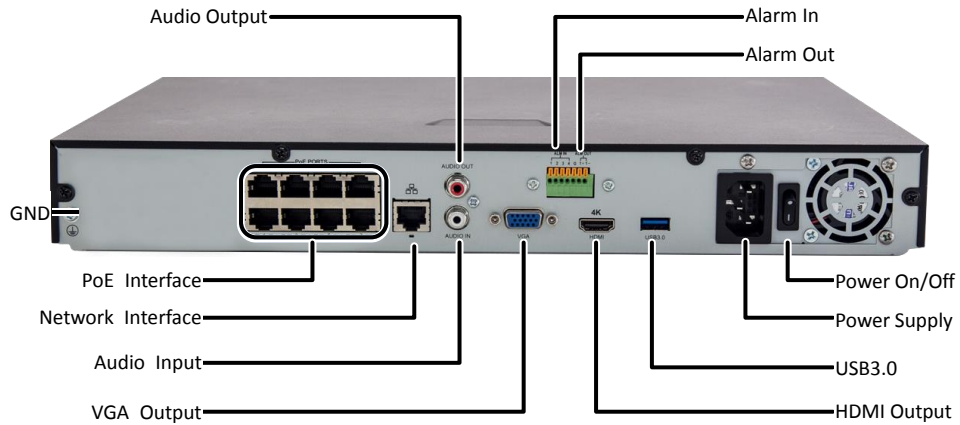
Model	NVR302-08E-P8-B	NVR302-16E-P8-B	NVR302-16E-P16-B
Video/Audio Input			
IP Video Input	8-ch	16-ch	
Two-way Audio Input	1-ch, RCA		
Network			
Incoming Bandwidth	80Mbps	160Mbps	
Outgoing Bandwidth	160Mbps	320Mbps	
Remote Users	128		
Protocols	P2P, UPnP, NTP, DHCP, PPPoE		
Video/Audio Output			
HDMI/VGA Output	VGA: 1920x1080p/60Hz, 1920x1080p/50Hz, 1600x1200/60Hz, 1280x1024/60Hz, 1280x720/60Hz, 1024x768/60Hz HDMI: 4K (3840x2160)/60Hz, 4K (3840x2160)/30Hz, 1920x1080p/60Hz, 1920x1080p/50Hz, 1600x1200/60Hz, 1280x1024/60Hz, 1280x720/60Hz, 1024x768/60Hz		
Recording Resolution	12MP/8MP/6MP/5MP/4MP/3MP/1080p/960p/720p/D1/2CIF/CIF		
Audio Output	1-ch, RCA		
Synchronous Playback	8-ch	16-ch	
Corridor Mode Screen	3/4/5/7/9	3/4/5/7/9/10/12/16	
Decoding			
Decoding format	Ultra 265, H.265, H.264		
Live view/Playback	12MP/8MP/6MP/5MP/4MP/3MP/1080p/960p/720p/D1/2CIF/CIF		
Capability	3 x 12MP@25, 4 x 4K@30, 8 x 4MP@30, 16 x 1080P@30		
Hard Disk			
SATA	2 SATA interfaces		
Capacity	up to 10TB for each disk		
External Interface			
Network Interface	1 RJ-45 10M/100M/1000M self-adaptive Ethernet Interface		
USB Interface	Front panel: 1 x USB2.0, Rear panel: 1 x USB3.0		
Alarm In	4-ch		
Alarm Out	1-ch		
PoE			
Interface	8 independent 100 Mbps PoE network interfaces	16 independent 100 Mbps PoE network interfaces	
Max Power	Max 30W for single port Max 130W in total (16.25W for each)	Max 30W for single port Max 240W in total (15W for each)	
Supported Standard	IEEE 802.3af/at		
General			
Power Supply	100 ~ 240 V AC Power Consumption: ≤ 12 W (without HDD)		
Working Environment	-10°C~+ 55°C (+14°F~+131°F), Humidity ≤ 90% RH (non-condensing)		
Dimensions (W×D×H)	380 mm × 315mm × 53 mm (15" × 12.4"×2.1")		
Weight (without HDD)	≤2.42kg (5.34lb)	≤2.48kg (5.47lb)	

Dimensions



Rear Panel

Take **NVR302-16E-P8-B** for example



Zhejiang Uniview Technologies Co., Ltd.

Building No.10, Wanlun Science Park, Jiangling Road 88, Binjiang District, Hangzhou, Zhejiang, China

Email: overseasbusiness@uniview.com; globalsupport@uniview.com

<http://sgcdn.uniview.com>

©2016-2019 Zhejiang Uniview Technologies Co., Ltd. All rights reserved.

* Product specifications and availability are subject to change without notice.